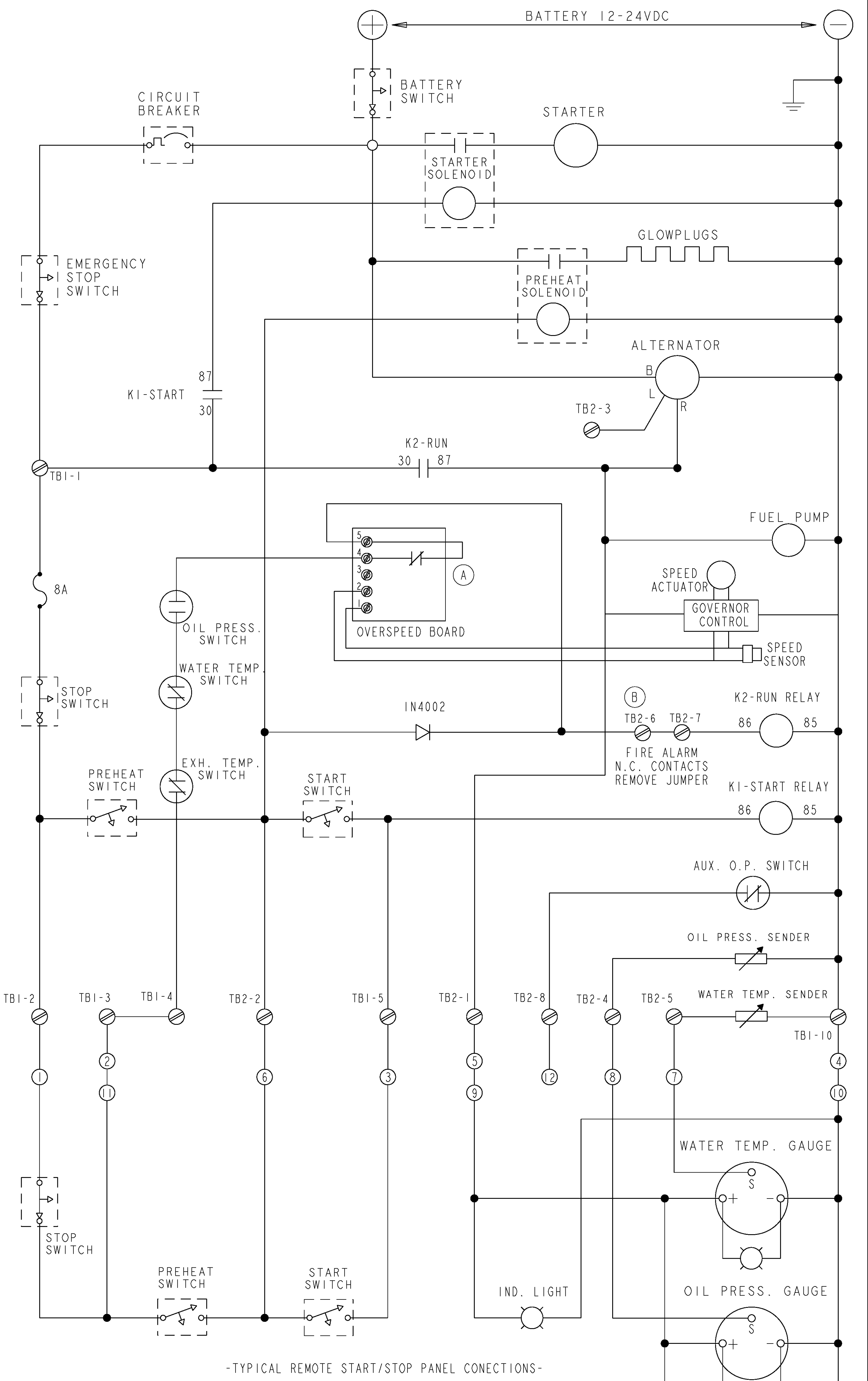
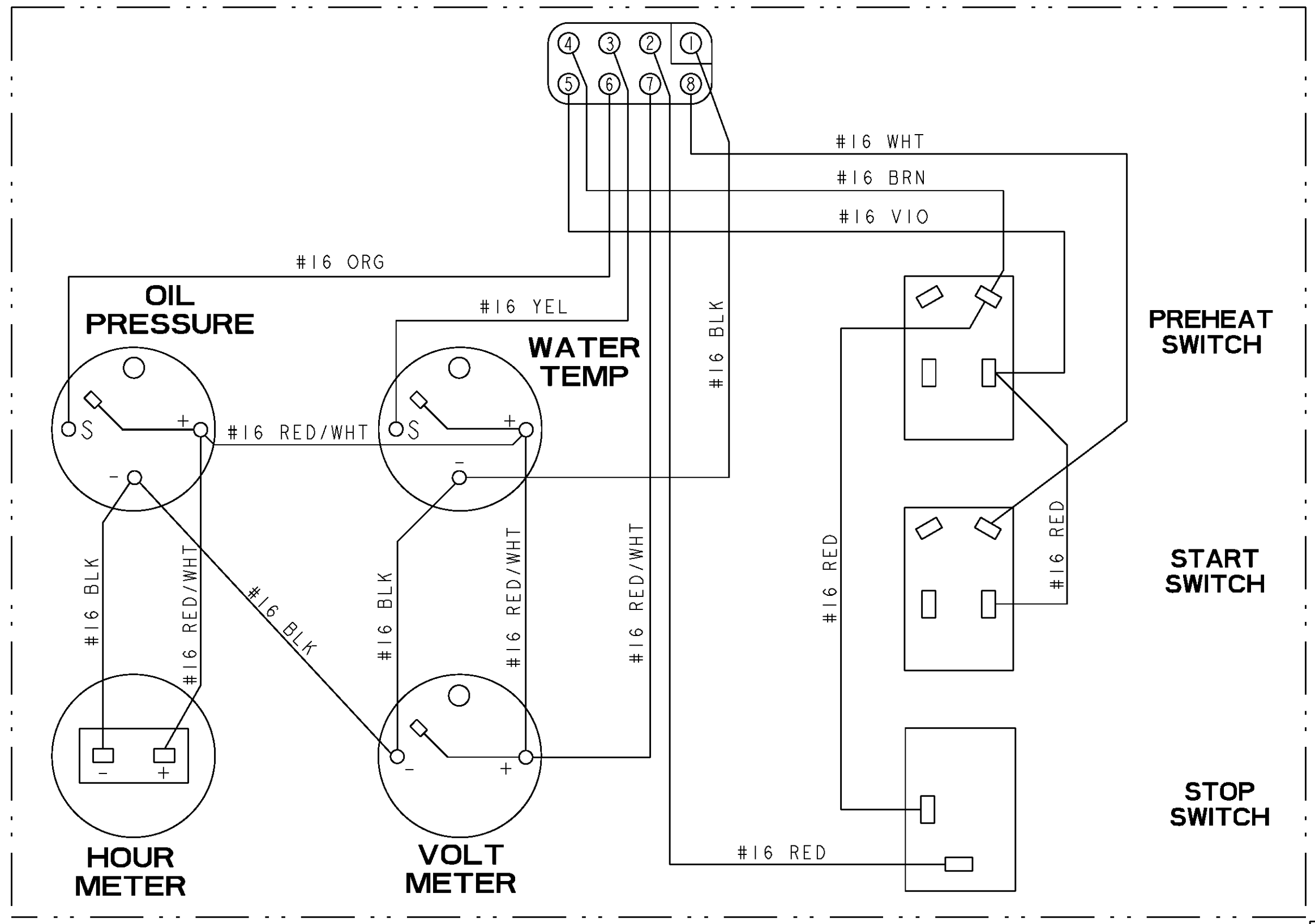
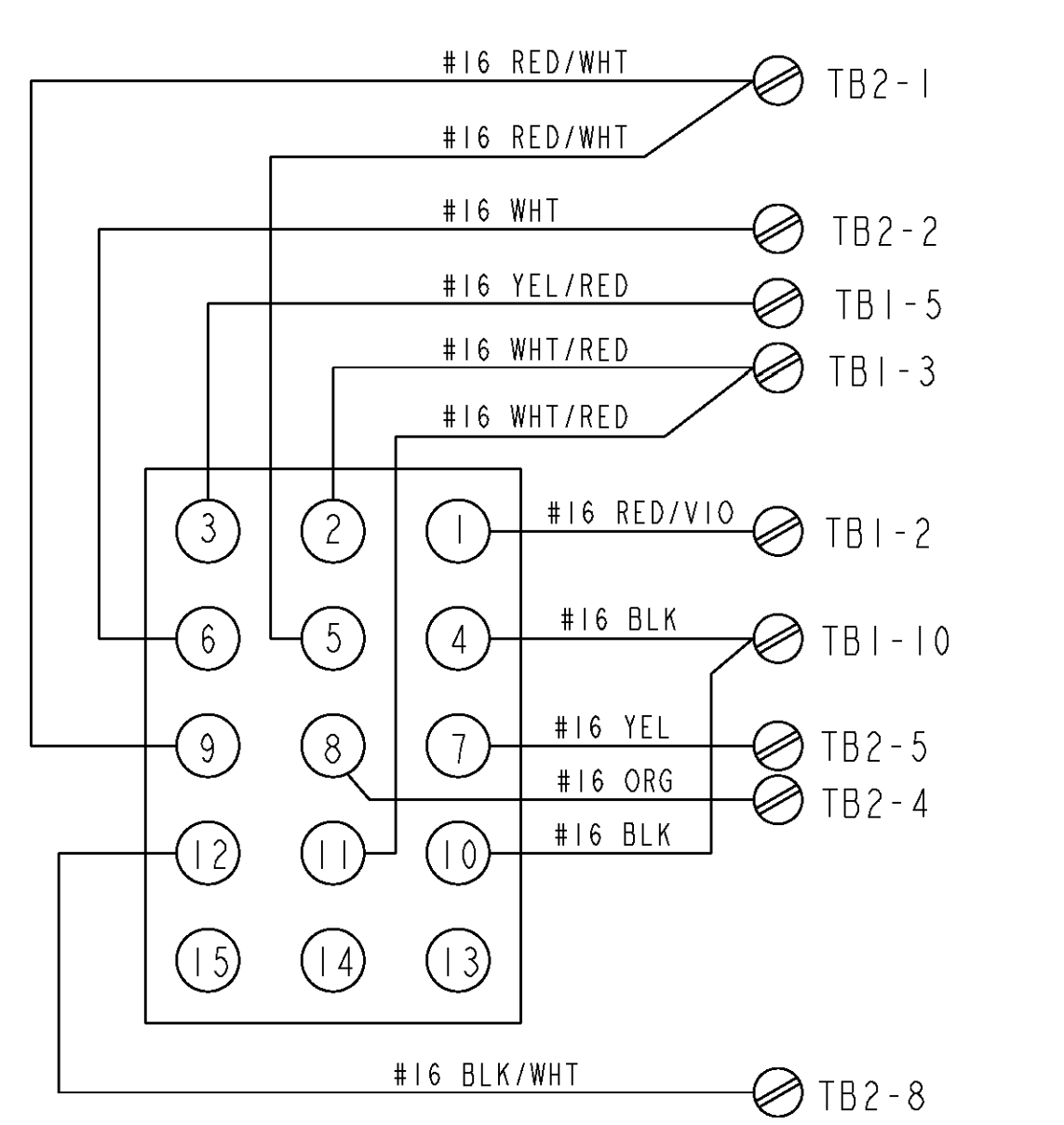


NOTE:
 1. REMOVE JUMPER WHEN CONNECTING A SECOND REMOTE PANEL.
 2. GROUND "1" TERMINAL OF PREHEAT SOLENOID ON 24V SYSTEM ONLY.



NOTE:
 1. REMOTE CONNECTOR PINS
 2. JUMPER SETTING:
 J1 OPEN-50HZ
 J1 CLOSE-60HZ
 J2 OPEN-5-15KW
 J2 CLOSE-20-95KW

TOLERANCES (UNLESS OTHERWISE NOTED)		WESTERBEKE CORPORATION AVON MA. 02322	
INCHES	MILLIMETERS	TITLE	
.XX	.02	WIRING DIAGRAM, 8.0-10.0 BTDA, 11.5/12.6 BTDA	
.XXX	.005	12.5 BTDA, 15.0 BTDC-SRC W/ELECT GOV	
CAST	.03	DRAWN BY JRS DATE 16/June/00 MATERIAL: .	
FINISH	.04	APPROVED BY DATE	
ANGLES	3°	SCALE NONE SIZE DRAWING NUMBER	
		REV. 1 OF 1	
		E 44927 C	

ECO. NO.	DATE	REV.	REVISION RECORD	AUTH.	DR. BY
6518	5-28-2008	C	ADD 11.5 BTDA MODEL IN TITLE BOX	GA	
5861	11-3-2004	B	ADDED JUMPER BETWEEN TB2-6&7; K2-86 WAS CONNECTED TO TB2-6.	GA	
5707	4-1-2004	A	ADD OVERSPEED BOARD.	GA	